

TINES DIRECT



Published 2016

free delivery on online orders over
£100 at www.tinesdirect.com



freephone +44 (0)800 083 0216 email sales@tinesdirect.com

Verticut / Scarifying / Slitting Blades

Amazone/Graden/Jacobsen	Page 1
John Deere/Ryan/Mataway/Sisis	Page 2
Huxley/Long Equip/Trilo/Toro/Wiedenmann	Page 3

Tine Adapters

Various adapters - Selvatici/Soil Reliever/Vertidrain/Toro/ John Deere/Ransomes/Ryan/Multicore/Groundsman/Wiedenmann	Page 4
---	--------

Aera-Vator Tines

Aera-Vator 3 inch Spike Tine	Page 5
------------------------------	--------

Verti-Core (plus Rapidcore 1.2m & 1.6m)

Hollow Tine hardened / carbide tipped	Page 6
Cross Tine hardened / carbide tipped/solid tine	Page 7

Verti-Drain

Hollow Tine hardened	Page 8
Hollow Tine carbide tipped	Page 9
Cross Tine hardened	Page 10
Solid Tine hardened	Page 11
Solid Tine hardened (.cont) & Konispoon ® Flat Hardened	Page 12

John Deere/Multicore

Hollow Tine hardened	Page 13
Hollow Tine carbide tipped & Konispoon ® flat hardened	Page 14
Cross Tine hardened / carbide tipped	Page 15
Solid Tine hardened & Konispoon ® round hardened	Page 16

Groundsman

Hollow Tine hardened	Page 17
Hollow Tine carbide tipped	Page 18
Cross Tine hardened & carbide tipped	Page 19
Solid Tine hardened & Konispoon ® round hardened	Page 20

Ransomes / Jacobsen/ Ryan GA30

Hollow Tine hardened	Page 21
Hollow Tine carbide tipped & Flat Tine hardened	Page 22
Cross Tine hardened / carbide tipped	Page 23
Solid Tine hardened & Konispoon ® round hardened	Page 24

Soil Reliever/ Selvatici

Hollow Tine hardened	Page 25
Hollow Tine carbide tipped	Page 26
Cross Tine hardened / carbide tipped / Konispoon ® flat hardened	Page 27
Solid Tine hardened	Page 28/29

Toro

Hollow Tine hardened	Page 30/31
Hollow Tine carbide tipped & Konispoon ® round hardened	Page 32
Cross Tine hardened & carbide tipped	Page 33
Konispoon ® flat hardened & Solid Tine hardened	Page 34

Coremaster

Hollow Tine hardened / carbide tipped Cross Tine hardened	Page 35
---	---------

Wiedenmann

Hollow Tine hardened	Page 36
Hollow Tine carbide tipped / Terra Rake Replacement Tine	Page 37
Cross Tine hardened / carbide tipped / Konispoon ® Flat Hardened	Page 38
Solid Tine hardened	Page 39/40

Brushes

Brush request form	Page 41
Brush Sections – Wessex/Tomlin/Thatchaway	Page 42
Brush Sections – Sisis	Page 43

Bedknives

Jacobsen and Ransomes bedknives	Page 44
Toro and John Deere bedknives	Page 45

Accessories

Back-Lapping Paste	Page 46
Accu-Guage – Height of cut setting tool	Page 47
Top Links (incl.Hydraulic) & PTO Shaft Assemblies and Safety Covers	Page 48
Replacement Seats	Page 49
TAS Trimmer heads	Page 50

Raycam Products

Raycam - Sportsfield Harrow / Line Marker	Page 51
Raycam - EasyDrag Rubber Mats	Page 52
Raycam - EasyDrag Accessories / Steel Mats	Page 53
Raycam - V-brush	Page 54
Imants Penetrometer	Page 55

Technical Data

Tine Terminology Explained	Page 56
----------------------------	---------

Verticut / Scarifying / Slitting Blades

Amazone – Scarifying Blade

Part No.	Construction	Number of Edges	Working Width	Total Length	Price £
8746000	Hardened	1-cut	2 mm	85 mm	2.20
8746000H	Carbide Tipped	1-cut	2 mm	85 mm	4.70
8356000	Hardened	1-cut	3 mm	85 mm	2.20
8356000H	Carbide Tipped	1-cut	3 mm	85 mm	4.70

Graden – Scarifying Blade

Part No.	Construction	Number of Edges	Working Width	Ø	Price £
1901768H	Carbide Tipped	8-cut	1.5 mm	190 mm	15.95
1902467H	Carbide Tipped	8-cut	2 mm	190 mm	15.95
1903588H	Carbide Tipped	8-cut	3 mm	190 mm	15.95
1901769H	Carbide Tipped	8-cut	1.5 mm	210 mm	17.95
1902729H	Carbide Tipped	8-cut	2 mm	210 mm	17.95
1902729H	Carbide Tipped	8-cut	2 mm	210 mm	17.95

Jacobsen – Green King IV and V - Scarifying Blade

Part No.	Construction	Number of Edges	Working Width	Ø	Price £
335449	Hardened	7-cut	0.8 mm	135 mm	4.75
1102405H	Carbide Tipped	11-cut	2 mm	135 mm	12.50

The length measurements refer to the total length of the tools. Our general Terms and Conditions apply. Prices plus VAT, freight and additional costs. Allowing for price and technical changes.

visit www.tinesdirect.com **freephone** +44 (0)800 083 0216 **email** sales@tinesdirect.com
free delivery on online order over £100

Verticut / Scarifying / Slitting Blades

John Deere – Scarifying Blade

Part No.	Construction	Number of Edges	Working Width	Total Length	Price £
1102406H Side Wing	Carbide Tipped	11-cut	2 mm	135 mm	12.50

Ryan / Mataway – Verticut / Scarifying Blade

Part No.	Construction	Number of Edges	Working Width	Ø	Price £
516900	Hardened	2-cut	1.6 mm	185 mm	3.65
516898	Hardened	2-cut	3 mm	185 mm	3.75
1914291H	Carbide Tipped	5-cut	2 mm	185 mm	16.95

Sisis – Scarifying Blade

Part No.	Construction	Number of Edges	Working Width	Ø	Price £
2245745 Auto-Rotorake	Hardened	2-cut	2 mm	220 mm	3.80
2245745H Auto-Rotorake	Carbide Tipped	2-cut	2 mm	220 mm	8.50
3660835H Sisis 600	Carbide Tipped	2-cut	1.3 mm	240 mm	8.75
3610636H Sisis 600	Carbide Tipped	2-cut	2 mm	240 mm	9.95
3623137H Sisis 600	Carbide Tipped	2-cut	3 mm	240 mm	9.95

The length measurements refer to the total length of the tools. Our general Terms and Conditions apply. Prices plus VAT, freight and additional costs. Allowing for price and technical changes.

visit www.tinesdirect.com **freephone** +44 (0)800 083 0216 **email** sales@tinesdirect.com
free delivery on online order over £100

Verticut / Scarifying / Slitting Blades

Huxley – Verticut & Slitting Blades

Part No.	Construction	Number of Edges	Working Width	Ø	Price £
AGO241	Hardened Slitting	2	4 mm	300 mm	9.95
AGO242H	Hardened Slitting	2	6 mm	300 mm	10.60
4016739	Hardened Verticut	2	2 mm	240 mm	4.50
4016739H	Carbide Tipped Verticut	2	2 mm	240mm	8.95

Long Equip / Trilo – Scarifying Blade

Part No.	Construction	Number of Edges	Working Width	Total Length	Price £
1332726	Hardened	1	3 mm	135 mm	3.50
1332726H	Carbide Tipped	1	3.2 mm	135 mm	6.50
AG00379 Fan Paddle	Hardened	1	110 mm	115 mm	15.95

Toro – Verticut Blade

Part No.	Construction	Number of Edges	Working Width	Ø	Price £
1105404H Reel Side Wing	Carbide Tipped	11-cut	2 mm	135 mm	12.50

Wiedenmann – Scarifying Blade

Part No.	Construction	Number of Edges	Working Width	Total Length	Price £
W3085250	Hardened	1-cut	3 mm	85 mm	2.25
W3085250H	Carbide Tipped	1-cut	3 mm	85 mm	3.95

The length measurements refer to the total length of the tools. Our general Terms and Conditions apply. Prices plus VAT, freight and additional costs. Allowing for price and technical changes.

visit www.tinesdirect.com **freephone** +44 (0)800 083 0216 **email** sales@tinesdirect.com
free delivery on online order over £100

Tine Adaptors

Tine Adaptors

Part No.	Mounting / Outer Ø	Inside Ø	Machine	Price £
2351853	24mm	18mm	SELVATICI/SOIL RELIEVER/ VERTIDRAIN	6.95
1214032	22.3mm	12mm	TORO/JOHN DEERE	5.00
2239270	22.3mm	9.5mm	JOHN DEERE/TORO	5.00
2214061	22.3 mm	8 mm	JOHN DEERE/TORO	5.00
1214031	19 mm	12 mm	JOHN DEERE/RANSOMES/ RYAN/TORO/MULTICORE/ GROUNDSMAN	5.00
1925117	19 mm	9.5 mm	JOHN DEERE/RANSOMES/ RYAN/VERTICORE/TORO/ MULTICORE/GROUNDSMAN	5.00
1908248	19 mm	8 mm	JOHN DEERE/RANSOMES/ RYAN/VERTICORE/TORO/ MULTICORE/GROUNDSMAN	5.00
1906431	19 mm	6 mm	JOHN DEERE/VERTICORE/ MULTICORE	5.00
1812781	18 mm	12 mm	VERTIDRAIN	7.00
1209475	12.7 mm	6 mm	RANSOMES/RYAN GROUNDSMAN	5.00
W1208067	12 mm	8 mm	WIEDENMANN	3.50
1208067	12 mm	8 mm	VERTIDRAIN/SELVATICI/ SOIL RELIEVER	3.50
1206456	12 mm	6 mm	VERTIDRAIN/SELVATICI	3.50
9506403	9.5 mm	6 mm	SOIL RELIEVER TORO	5.00

The length measurements refer to the total length of the tools. Our general Terms and Conditions apply. Prices plus VAT, freight and additional costs. Allowing for price and technical changes.

visit www.tinesdirect.com **freephone** +44 (0)800 083 0216 **email** sales@tinesdirect.com
free delivery on online order over £100

Aera-Vator

3 inch Spike Tine

Part No.	Thread Ø	Outside Ø	Total Length	Spike Length	Price £
TD50-058	5/8" NF	5/8"	120 mm	3"	7.95



The length measurements refer to the total length of the tools. Our general Terms and Conditions apply. Prices plus VAT, freight and additional costs. Allowing for price and technical changes.

visit www.tinesdirect.com **freephone** +44 (0)800 083 0216 **email** sales@tinesdirect.com
free delivery on online order over £100

Verti-Core/ Rapidcore

Hollow Tines

Part No.	Mounting Ø	Outside Ø	Total Length	Core Ø	Price £
08-9513123 Side Eject	8 mm	9.5 mm	125 mm	5 mm	4.95
1008755 Side Eject	8 mm	11 mm	130 mm	6 mm	5.50
1912807 Side Eject	19 mm	12 mm	155 mm	6 mm	6.95
1912771 Side Eject	19 mm	12.7 mm	125 mm	9 mm	3.70
1914415 Side Eject	19 mm	12.7 mm	145 mm	9 mm	3.75
1615765 Side Eject	19 mm	16 mm	155 mm	9.5 mm	9.30
1912761 Side Eject	19 mm	16 mm	125 mm	12 mm	3.50
1914417 Side Eject	19 mm	16 mm	145 mm	12 mm	3.75
2015766 Side Eject	19 mm	20 mm	155 mm	13 mm	8.75
2514260 Side Eject	19 mm	26 mm	140 mm	16 mm	10.25
4019749 Side Eject	19 mm	40 mm	145 mm	30 mm	26.50

Hollow Tines with Carbide Tip

Part No.	Mounting Ø	Outside Ø	Total Length	Core Ø	Price £
08-9513123H Side Eject	8 mm	11 mm	135 mm	5.5 mm	7.60
1912807H Side Eject	19 mm	12 mm	155 mm	6 mm	9.75
1615765H Side Eject	19 mm	16 mm	155 mm	9 mm	13.95
2015766H Side Eject	19 mm	20 mm	155 mm	12 mm	13.95

The length measurements refer to the total length of the tools. Our general Terms and Conditions apply. Prices plus VAT, freight and additional costs. Allowing for price and technical changes.

visit www.tinesdirect.com **freephone** +44 (0)800 083 0216 **email** sales@tinesdirect.com
free delivery on online order over £100

Verti-Core/ Rapidcore

Cross Tines

Part No.	Mounting Ø	Outside Ø	Total Length	Rib Width	Price £
9510720	9.5 mm	9.5 mm	102 mm	1.5 mm	6.60
1916900	19 mm	12 mm	160 mm	2.5 mm	9.25
2019457	19 mm	20 mm	140 mm	3.0 mm	11.50
2419459	19 mm	24 mm	140 mm	5.0 mm	15.50
2619461	19 mm	26 mm	140 mm	5.0 mm	15.50

Cross Tines with Carbide Tip

Part No.	Mounting Ø	Outside Ø	Total Length	Rib Width	Price £
1916900H	19 mm	9.5 mm	102 mm	1.5 mm	13.95

Solid Tines

Part No.	Mounting Ø	Outside Ø	Total Length	Price £
0614402	6 mm	6 mm	140 mm	1.60
0815052	8 mm	8 mm	150 mm	2.10
1906872	19 mm	6 mm	160 mm	4.95
1908873	19 mm	8 mm	160 mm	4.95
1910929	19 mm	10 mm	160 mm	4.95
1912774	19 mm	12 mm	160 mm	4.95
1916785	19 mm	16 mm	160 mm	4.95

The length measurements refer to the total length of the tools. Our general Terms and Conditions apply. Prices plus VAT, freight and additional costs. Allowing for price and technical changes.

visit www.tinesdirect.com **freephone** +44 (0)800 083 0216 **email** sales@tinesdirect.com
free delivery on online order over £100

Verti-Drain

Hollow Tines

(All Verti-Drain Hollow tines are Side Eject) Produced from a full steel billet, shatter-proof with long term durability

Part No.	Mounting Ø	Outside Ø	Total Length	Core Ø	Price £
1008755	8 mm	11 mm	150 mm	6 mm	5.50
1214770	12 mm	12 mm	160 mm	6.5 mm	7.25
1618001	12 mm	16 mm	180 mm	9.5 mm	10.75
1624001	12 mm	16 mm	225 mm	9.5 mm	12.50
2018002	12 mm	20 mm	180 mm	12 mm	13.50
2024002	12 mm	20 mm	225 mm	12 mm	15.95
2031004	12 mm	20 mm	295 mm	12 mm	18.95
2031003	18 mm	20 mm	295 mm	12 mm	19.00
2531005	18 mm	26 mm	310 mm	16 mm	27.00
2536042	18 mm	26 mm	360 mm	16 mm	23.75
2531006	24 mm	26 mm	310 mm	16 mm	21.55
3036007	18 mm	30 mm	360 mm	21 mm	34.75
3036008	24 mm	30 mm	360 mm	21 mm	32.00
3536010	24 mm	35 mm	360 mm	27 mm	36.75

The length measurements refer to the total length of the tools. Our general Terms and Conditions apply. Prices plus VAT, freight and additional costs. Allowing for price and technical changes.

visit www.tinesdirect.com **freephone** +44 (0)800 083 0216 **email** sales@tinesdirect.com
free delivery on online order over £100

Verti-Drain

Hollow Tines Carbide Tipped

(All Verti-Drain Hollow tines are Side Eject)

Part No.	Mounting Ø	Outside Ø	Total Length	Core Ø	Price £
1618001H	12 mm	16 mm	180 mm	9 mm	22.75
1624001H	12 mm	16 mm	225 mm	9 mm	26.95
2018002H	12 mm	20 mm	180 mm	12 mm	27.50
2024002H	12 mm	20 mm	225 mm	12 mm	29.50
2024119H	18 mm	20 mm	225 mm	12 mm	29.70
2031004H	12 mm	20 mm	295 mm	12 mm	32.00
2031003H	18 mm	20 mm	295 mm	12 mm	32.00
2531005H	18 mm	26 mm	310 mm	16 mm	38.95
2536042H	18 mm	26 mm	360 mm	16 mm	42.00
2531006H	24 mm	26 mm	310 mm	16 mm	38.95



1618001H



2024002H



2031003H

The length measurements refer to the total length of the tools. Our general Terms and Conditions apply. Prices plus VAT, freight and additional costs. Allowing for price and technical changes.

visit www.tinesdirect.com **freephone** +44 (0)800 083 0216 **email** sales@tinesdirect.com
free delivery on online order over £100

Verti-Drain

Cross Tines

Part No.	Mounting Ø	Outside Ø	Total Length	Core Ø	Price £
0820719	8 mm	8 mm	200 mm	1.5 mm	7.25
1214012V	12 mm	12 mm	145 mm	2.5 mm	9.95
1220244	12 mm	12 mm	200 mm	2.5 mm	11.50
1225830	12 mm	12 mm	250 mm	2.5 mm	13.75
1218452	12 mm	18 mm	200 mm	3 mm	13.95
1832453	18 mm	18 mm	320 mm	3 mm	21.95
2235412	18 mm	22 mm	320 mm	5 mm	23.95
2432473	18 mm	24 mm	320 mm	5 mm	26.50
2532454	24 mm	24 mm	320 mm	5 mm	26.50



0820719



1832453

The length measurements refer to the total length of the tools. Our general Terms and Conditions apply. Prices plus VAT, freight and additional costs. Allowing for price and technical changes.

visit www.tinesdirect.com **freephone** +44 (0)800 083 0216 **email** sales@tinesdirect.com
free delivery on online order over £100

Solid Tines

Part No.	Mounting Ø	Outside Ø	Total Length	Price £
0614402	6 mm	6 mm	140 mm	1.60
0620455	6 mm	6 mm	175 mm	1.65
0817511	8 mm	8 mm	175 mm	1.95
0820049	8 mm	8 mm	200 mm	2.00
0825064	8 mm	8 mm	250 mm	2.40
0830716	8 mm	8 mm	300 mm	2.25
1208800	8 mm	12 mm	155 mm	3.20
1220055	12 mm	12 mm	200 mm	2.15
1225056	12 mm	12 mm	250 mm	2.20
1230012	12 mm	12 mm	300 mm	2.60
1236013	12 mm	12 mm	360 mm	3.25
1612760	12 mm	16 mm	200 mm	5.95
1612837	12 mm	16 mm	250 mm	6.95
1825779	12 mm	18 mm	250 mm	7.75
1825807	18 mm	18 mm	250 mm	4.50

(Solid Tines Hardened continued on next page)

The length measurements refer to the total length of the tools. Our general Terms and Conditions apply. Prices plus VAT, freight and additional costs. Allowing for price and technical changes.

Verti-Drain

Solid Tines

Part No.	Mounting Ø	Outside Ø	Total Length	Price £
1830014	18 mm	18 mm	300 mm	4.70
1835015	18 mm	18 mm	350 mm	4.80
1840016	18 mm	18 mm	400 mm	5.85
1845043	18 mm	18 mm	450 mm	6.00
2535018	18 mm	24 mm	350 mm	8.95
2535019	24 mm	24 mm	350 mm	8.75
2540020	24 mm	24 mm	400 mm	8.95
2545021	24 mm	24 mm	450 mm	8.95

Flat / Chisel Tine

Part No.	Mounting Ø	Element Width	Element Thickness	Total Length	Price £
W1219844	12 mm	19 mm	6 mm	220 mm	13.00

The length measurements refer to the total length of the tools. Our general Terms and Conditions apply. Prices plus VAT, freight and additional costs. Allowing for price and technical changes.

Hollow Tines

Part No.	Mounting Ø	Outside Ø	Total Length	Core Ø	Price £
9513123 Side Eject	9.5 mm	9.5 mm	125 mm	5 mm	5.05
9514745 Side Eject	9.5 mm	11 mm	145 mm	6 mm	5.95
1912807 Side Eject	19 mm	12 mm	155 mm	6 mm	6.95
1912130	19 mm	12.7 mm	125 mm	10mm	2.10
1912771 Side Eject	19 mm	12.7 mm	125 mm	9 mm	3.70
1914132	19 mm	12.7 mm	145 mm	10mm	2.50
1914415 Side Eject	19 mm	12.7 mm	145 mm	10mm	3.75
1615765 Side Eject	19 mm	16 mm	155 mm	9.5mm	9.30
1912134	19 mm	16 mm	125 mm	13mm	2.15
1912761 Side Eject	19 mm	16 mm	125 mm	12mm	3.70
1914136	19 mm	16 mm	145 mm	13mm	2.50
1914417 Side Eject	19 mm	16 mm	145 mm	12 mm	3.75
2015766 Side Eject	19 mm	20 mm	155 mm	13 mm	8.75
1916886	19 mm	16 mm	165 mm	13 mm	2.80
2514260 Side Eject	19 mm	26 mm	140 mm	16 mm	10.25
2514266 Side Eject	22.3 mm	26 mm	140 mm	16 mm	10.25

The length measurements refer to the total length of the tools. Our general Terms and Conditions apply. Prices plus VAT, freight and additional costs. Allowing for price and technical changes.

visit www.tinesdirect.com **freephone** +44 (0)800 083 0216 **email** sales@tinesdirect.com
free delivery on online order over £100

Hollow Tines Carbide Tipped

Part No.	Mounting Ø	Outside Ø	Total Length	Core Ø	Price £
9513123H Side Eject	9.5 mm	11 mm	145 mm	5.5 mm	7.95
1912807H Side Eject	19 mm	12 mm	155 mm	6 mm	9.75
1912131H	19 mm	12.7 mm	125 mm	9 mm	9.50
1914133H	19 mm	12.7 mm	145 mm	9 mm	10.50
1914416H Side Eject	19 mm	12.7 mm	145 mm	9 mm	12.95
1615765H Side Eject	19 mm	16 mm	155 mm	9 mm	13.95
1912135H	19 mm	16 mm	125 mm	12 mm	10.00
1914137H	19 mm	16 mm	145 mm	12 mm	10.50
2015766H Side Eject	19 mm	20 mm	155 mm	12 mm	13.95

Flat / Chisel Tines

Part No.	Mounting Ø	Element Width	Element Thickness	Total Length	Price £
1219841	19 mm	19 mm	6 mm	140 mm	9.95
1219842	19 mm	19 mm	6 mm	160 mm	9.95

The length measurements refer to the total length of the tools. Our general Terms and Conditions apply. Prices plus VAT, freight and additional costs. Allowing for price and technical changes.

Cross Tines

Part No.	Mounting Ø	Outside Ø	Total Length	Rib Width	Price £
9510720	9.5 mm	9.5 mm	102 mm	1.5 mm	6.60
9515750	9.5 mm	9.5 mm	140 mm	1.5 mm	6.95
9516825	9.5 mm	9.5 mm	160 mm	1.5 mm	7.95
9514120	9.5 mm	12 mm	135 mm	2.5 mm	9.50
1916900	19 mm	12 mm	160 mm	2.5 mm	9.25
2019457	19 mm	20 mm	140 mm	3 mm	11.50
2419459	19 mm	24 mm	140 mm	5 mm	15.50
2422460	22.3 mm	24 mm	140 mm	5 mm	15.00
2619461	19 mm	26 mm	140 mm	5 mm	15.50
2622462	22.3 mm	26 mm	140 mm	5 mm	15.50

Cross Tines Carbide Tipped

Part No.	Mounting Ø	Outline Ø	Total Length	Rib Width	Price £
9514120H	9.5 mm	12 mm	135 mm	2.5 mm	13.95
1916900H	19 mm	12 mm	145 mm	2.5 mm	13.95

The length measurements refer to the total length of the tools. Our general Terms and Conditions apply. Prices plus VAT, freight and additional costs. Allowing for price and technical changes.

John Deere/ Multicore

Solid Tines

Part No.	Mounting Ø	Outside Ø	Total Length	Price £
0105180	5 mm elbow	5 mm	180 mm	2.20
0108180	8 mm elbow	8 mm	180 mm	2.85
0614402	6 mm	6 mm	140 mm	1.60
0815052	8 mm	8 mm	150 mm	2.10
9512450	9.5 mm	9.5 mm	120 mm	1.60
9515045	9.5 mm	9.5 mm	150 mm	2.25
1906872	19 mm	6 mm	160 mm	4.95
1908873	19 mm	8 mm	160 mm	4.95
1910929	19 mm	10 mm	160 mm	4.95
1912774	19 mm	12 mm	160 mm	4.95
1916785	19 mm	16 mm	160 mm	4.95
2231685	22.3 mm	16 mm	140 mm	8.95

Konispoon® Round Needle

Part No.	Mounting Ø	Outside Ø	Total Length	Price £
9505847K	9.5 mm	5 mm	140 mm	3.00
9505846K	9.5 mm	5 mm	160 mm	3.15
9506842K	9.5 mm	6 mm	140 mm	5.71
9506845K	9.5 mm	6 mm	160 mm	3.15

The length measurements refer to the total length of the tools. Our general Terms and Conditions apply. Prices plus VAT, freight and additional costs. Allowing for price and technical changes.

visit www.tinesdirect.com **freephone** +44 (0)800 083 0216 **email** sales@tinesdirect.com
free delivery on online order over £100

Hollow Tines

Part No.	Mounting Ø	Outside Ø	Total Length	Core Ø	Price £
9513123 Side Eject	9.5 mm	9.5 mm	130 mm	5 mm	5.05
1615522 Side Eject	16 mm	16 mm	155 mm	9.4 mm	8.15
2015523 Side Eject	16 mm	20 mm	155 mm	12.5 mm	8.75
1912807 Side Eject	19 mm	12 mm	155 mm	6 mm	6.95
1912130	19 mm	12.7 mm	125 mm	10 mm	2.10
1914132	19 mm	12.7 mm	145 mm	10 mm	2.50
1912771 Side Eject	19 mm	12.7 mm	125 mm	10 mm	3.50
1914415 Side Eject	19 mm	12.7 mm	145 mm	10 mm	3.75
1912134	19 mm	16 mm	125 mm	13 mm	2.15
1914136	19 mm	16 mm	145 mm	13 mm	2.50
1912761 Side Eject	19 mm	16 mm	125 mm	13 mm	3.50
1914417 Side Eject	19 mm	16 mm	145 mm	13 mm	3.75
1916886	19 mm	16 mm	165 mm	13mm	2.80
1916887	19 mm	12.7 mm	165 mm	10mm	2.80
2514260 Side Eject	19 mm	26 mm	140 mm	16 mm	10.25
2514266 Side Eject	22.3 mm	26 mm	140 mm	16 mm	10.25

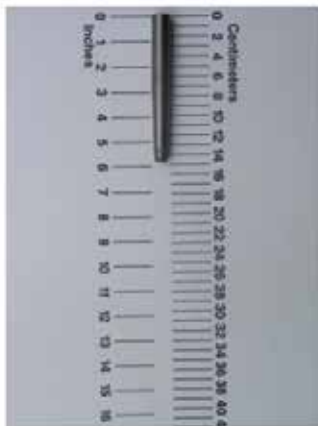
The length measurements refer to the total length of the tools. Our general Terms and Conditions apply. Prices plus VAT, freight and additional costs. Allowing for price and technical changes.

visit www.tinesdirect.com **freephone** +44 (0)800 083 0216 **email** sales@tinesdirect.com
free delivery on online order over £100

Hollow Tines Carbide Tipped

Part No.	Mounting Ø	Outside Ø	Total Length	Core Ø	Price £
9513123H Side Eject	9.5 mm	11 mm	145 mm	5.5 mm	7.95
1615522H Side Eject	16 mm	16 mm	155 mm	9.5 mm	13.95
2015523H	16 mm	20 mm	155 mm	12.5 mm	13.95
1912807H Side Eject	19 mm	12 mm	155 mm	6 mm	9.75
1912131H	19 mm	12.7 mm	125 mm	9 mm	9.50
1914133H	19 mm	12.7 mm	145 mm	9 mm	10.50
1912135H	19 mm	16 mm	125 mm	12 mm	10.00
1914137H	19 mm	16 mm	145 mm	12 mm	10.50

The length measurements refer to the total length of the tools. Our general Terms and Conditions apply. Prices plus VAT, freight and additional costs. Allowing for price and technical changes.



1914133H



1615522H

Cross Tines

Part No.	Mounting Ø	Outside Ø	Total Length	Rib Width	Price £
9514120	9.5 mm	12 mm	135 mm	2.5 mm	9.50
1274121	12.7 mm	12 mm	140 mm	2.5 mm	9.50
2014463	16 mm	20 mm	140 mm	2.5 mm	10.95
1916900	19 mm	12 mm	160 mm	2.5 mm	9.25
2019457	19 mm	20 mm	140 mm	3 mm	11.50
2419459	19 mm	24 mm	140 mm	5 mm	15.50
2619461	19 mm	26 mm	140 mm	5 mm	15.50

Cross Tines Carbide Tipped

Part No.	Mounting Ø	Outside Ø	Total Length	Rib Width	Price £
9514120H	9.5 mm	12 mm	135 mm	2.5 mm	13.95
1916900H	19 mm	12 mm	140 mm	2.5 mm	13.95
1274121H	12.7 mm	12 mm	140 mm	2.5 mm	13.50

The length measurements refer to the total length of the tools. Our general Terms and Conditions apply. Prices plus VAT, freight and additional costs. Allowing for price and technical changes.

Solid Tines

Part No.	Mounting Ø	Outside Ø	Total Length	Price £
0614402	6 mm	6 mm	140 mm	1.60
0815052	8 mm	8 mm	150 mm	2.10
9512450	9.5 mm	9.5 mm	120 mm	1.60
9515045	9.5 mm	9.5 mm	150 mm	2.25
1206140	12mm	6 mm	140 mm	3.95
1208140	12 mm	8 mm	140 mm	3.95
1210140	12 mm	10 mm	140 mm	3.95
1906872	19 mm	6 mm	160 mm	4.95
1908873	19 mm	8 mm	160 mm	4.95
1910929	19 mm	10 mm	160 mm	4.95
1912774	19 mm	12 mm	160 mm	4.95
1916785	19 mm	16 mm	160 mm	4.95

Konispoon® Round Needle

Part No.	Mounting Ø	Outside Ø	Total Length	Price £
9505847K	9.5 mm	5 mm	140	3.00
9505846K	9.5 mm	5 mm	160	3.15
9506842K	9.5 mm	6 mm	140	3.00
9506845K	9.5 mm	6 mm	160	3.15

The length measurements refer to the total length of the tools. Our general Terms and Conditions apply. Prices plus VAT, freight and additional costs. Allowing for price and technical changes.

visit www.tinesdirect.com **freephone** +44 (0)800 083 0216 **email** sales@tinesdirect.com
free delivery on online order over £100

Ransomes / Jacobsen / Ryan GA30

Hollow Tines

Part No.	Mounting Ø	Outside Ø	Total Length	Core Ø	Price £
9513123 Side Eject	9.5 mm	9.5 mm	125 mm	5 mm	5.05
9514745 Side Eject	9.5 mm	11 mm	145 mm	6 mm	5.95
1912807 Side Eject	19 mm	12 mm	155 mm	6 mm	6.95
1612474 Side Eject	16 mm	12.7 mm	125 mm	10 mm	5.50
1615522 Side eject	16 mm	16 mm	155 mm	10 mm	8.15
2015523	16 mm	20 mm	155 mm	13 mm	8.75
1912130	19 mm	12.7 mm	125 mm	10 mm	2.10
1914132	19 mm	12.7 mm	145 mm	10 mm	2.50
1914415 Side Eject	19 mm	12.7 mm	145 mm	10 mm	3.75
1916887	19 mm	12.7 mm	165 mm	10 mm	2.80
1615765 Side Eject	19 mm	16 mm	155 mm	9.5 mm	9.30
1912134	19 mm	16 mm	125 mm	13 mm	2.15
1914136	19 mm	16 mm	145 mm	13 mm	2.50
1914417 Side Eject	19 mm	16 mm	145 mm	12 mm	3.75
2015766 Side Eject	19 mm	20 mm	155 mm	13 mm	8.75
1916886	19 mm	16 mm	165 mm	13 mm	2.80
2514260 Side Eject	19 mm	26 mm	140 mm	16 mm	10.25

The length measurements refer to the total length of the tools. Our general Terms and Conditions apply. Prices plus VAT, freight and additional costs. Allowing for price and technical changes.

visit www.tinesdirect.com **freephone** +44 (0)800 083 0216 **email** sales@tinesdirect.com
free delivery on online order over £100

Ransomes / Jacobsen / Ryan GA30

Hollow Tines Carbide Tipped

Part No.	Mounting Ø	Outside Ø	Total Length	Core Ø	Price £
9513123H Side Eject	9.5 mm	11 mm	145 mm	5.5 mm	7.95
2015523H Side Eject	16 mm	20 mm	155 mm	12.5 mm	13.95
1912807H	19 mm	12 mm	155 mm	6 mm	9.75
1912131H	19 mm	12.7 mm	125 mm	9 mm	9.50
1914133H	19 mm	12.7 mm	145 mm	9 mm	10.50
1914416H Side Eject	19 mm	12.7 mm	145 mm	9 mm	12.95
1615765H Side Eject	19 mm	16 mm	155 mm	9 mm	13.95
1912135H	19 mm	16 mm	125 mm	12 mm	10.00
1914137H	19 mm	16 mm	145 mm	12 mm	10.50
2014027H Side Eject	19 mm	16 mm	155mm	12 mm	13.00
2015766H Side Eject	19 mm	20 mm	155 mm	12 mm	13.95

Flat / Chisel Tines

Part No.	Mounting Ø	Element Width	Element Thickness	Total Length	Price £
1219841	19 mm	19 mm	6 mm	140 mm	9.95
1219842	19 mm	19 mm	6 mm	160 mm	9.95

The length measurements refer to the total length of the tools. Our general Terms and Conditions apply. Prices plus VAT, freight and additional costs. Allowing for price and technical changes.

Ransomes / Jacobsen / Ryan GA30

Cross Tines

Part No.	Mounting Ø	Outside Ø	Total Length	Rib Width	Price £
9510720	9.5 mm	9.5 mm	102 mm	1.5 mm	6.60
9516825	9.5 mm	9.5 mm	160 mm	1.5 mm	7.95
9514120	9.5 mm	12 mm	135 mm	2.5 mm	9.50
1916900	19 mm	12 mm	160 mm	2.5 mm	9.25
1274121	12.7 mm	12 mm	140 mm	2.5 mm	9.50
2014463	16 mm	20 mm	140 mm	3 mm	10.95
2019457	19 mm	20 mm	140 mm	3 mm	11.50
2419459	19 mm	24 mm	140 mm	5 mm	15.50
2619461	19 mm	26 mm	140 mm	5 mm	15.50

Cross Tines Carbide Tipped

Part No.	Mounting Ø	Outside Ø	Total Length	Rib Width	Price £
9514120H	9.5 mm	12 mm	135 mm	2.5 mm	13.95
1214012H	19 mm	12 mm	145 mm	2.5 mm	13.95
1274121H	12.7 mm	12 mm	140 mm	2.5 mm	13.50

The length measurements refer to the total length of the tools. Our general Terms and Conditions apply. Prices plus VAT, freight and additional costs. Allowing for price and technical changes.

visit www.tinesdirect.com **freephone** +44 (0)800 083 0216 **email** sales@tinesdirect.com
free delivery on online order over £100

Ransomes / Jacobsen / Ryan GA30

Solid Tines

Part No.	Mounting Ø	Outside Ø	Total Length	Price £
0614402	6 mm	6 mm	140 mm	1.60
0815052	8 mm	8 mm	150 mm	2.10
9512450	9.5 mm	9.5 mm	120 mm	1.60
9515045	9.5 mm	9.5 mm	150 mm	2.25
1271796	12.7 mm	8 mm	140 mm	6.95
1906872	19 mm	6 mm	160 mm	4.95
1908873	19 mm	8 mm	160 mm	4.95
1910929	19 mm	10 mm	160 mm	4.95
1912774	19 mm	12 mm	160 mm	4.95
1916785	19 mm	16 mm	160 mm	4.95

Konispoon® Round Needle

Part No.	Mounting Ø	Outside Ø	Total Length	Price £
9505847K	9.5mm	5mm	140mm	3.00
9505846K	9.5mm	5mm	160mm	3.15
9506842K	9.5mm	6mm	140mm	3.00
9506845K	9.5mm	6mm	160mm	3.15

The length measurements refer to the total length of the tools. Our general Terms and Conditions apply. Prices plus VAT, freight and additional costs. Allowing for price and technical changes.

visit www.tinesdirect.com **freephone** +44 (0)800 083 0216 **email** sales@tinesdirect.com
free delivery on online order over £100

Soil Reliever/ Selvatici

Hollow Tines

*(All Soil Reliever/Selvatici Hollow tines are Side Eject)
Produced from a full steel billet, shatter-proof with long term durability*

Part No.	Mounting Ø	Outside Ø	Total Length	Core Ø	Price £
1008755	8 mm	11 mm	150 mm	6 mm	5.50
1214770	12 mm	12 mm	160 mm	6.5 mm	7.25
1618001	12 mm	16 mm	180 mm	9.5 mm	10.75
1624001	12 mm	16 mm	225 mm	9.5 mm	12.50
2018002	12 mm	20 mm	180 mm	12 mm	13.50
2024002	12 mm	20 mm	225 mm	12 mm	15.95
2031004	12 mm	20 mm	295 mm	12 mm	18.95
2031003	18 mm	20 mm	295 mm	12 mm	19.00
2531005	18 mm	26 mm	310 mm	16 mm	27.00
2536042	18 mm	26 mm	360 mm	16 mm	23.75
2531006	24 mm	26 mm	310 mm	16 mm	21.55
3036007	18 mm	30 mm	360 mm	21 mm	34.75
3036008	24 mm	30 mm	360 mm	21 mm	32.00
3536010	24 mm	35 mm	360 mm	27 mm	36.75

*The length measurements refer to the total length of the tools. Our general Terms and Conditions apply.
Prices plus VAT, freight and additional costs. Allowing for price and technical changes.*

visit www.tinesdirect.com **freephone** +44 (0)800 083 0216 **email** sales@tinesdirect.com
free delivery on online order over £100

Soil Reliever/ Selvatici

Hollow Tines Carbide Tipped

*(All Soil Reliever/Selvatici Hollow tines are Side Eject)
Produced from a full steel billet, shatter-proof with long term durability*

Part No.	Mounting Ø	Outside Ø	Total Length	Core Ø	Price £
1618001H	12 mm	16 mm	180 mm	9 mm	22.75
1624001H	12 mm	16 mm	225 mm	9 mm	26.95
2018002H	12 mm	20 mm	180 mm	12 mm	27.50
2024002H	12 mm	20 mm	225 mm	12 mm	29.50
2024119H	18 mm	20 mm	225 mm	12 mm	29.70
2031004H	12 mm	20 mm	295 mm	12 mm	32.00
2031003H	18 mm	20 mm	295 mm	12 mm	32.00
2531005H	18 mm	26 mm	310 mm	16 mm	38.95
2536042H	18 mm	26 mm	360 mm	16 mm	42.00
2531006H	24 mm	26 mm	310 mm	16 mm	38.95

The length measurements refer to the total length of the tools. Our general Terms and Conditions apply. Prices plus VAT, freight and additional costs. Allowing for price and technical changes.



2024002H



2024119H

visit www.tinesdirect.com **freephone** +44 (0)800 083 0216 **email** sales@tinesdirect.com
free delivery on online order over £100

Soil Reliever/ Selvatici

Cross Tines

Part No.	Mounting Ø	Outside Ø	Total Length	Rib Width	Price £
0820719	8 mm	8 mm	200 mm	1.5 mm	7.25
1214012V	12 mm	12 mm	145 mm	2.5 mm	9.95
1220244	12 mm	12 mm	200 mm	2.5 mm	11.50
1225830	12 mm	12 mm	250 mm	2.5 mm	13.75
1218452	12 mm	18 mm	200 mm	3 mm	13.95
1832453	18 mm	18 mm	320 mm	3 mm	21.95
2235412	18 mm	22 mm	320 mm	5 mm	23.95
2432473	18 mm	24 mm	320 mm	5 mm	26.50
2532454	24 mm	24 mm	320 mm	5 mm	26.50

Cross Tines Carbide Tipped

Part No.	Mounting Ø	Outside Ø	Total Length	Rib Width	Price £
01220244H	12 mm	12 mm	200 mm	2.5 mm	14.40

Flat / Chisel Tine

Part No.	Mounting Ø	Element Width	Element Thickness	Total Length	Price £
W1219844	12 mm	19 mm	6 mm	220 mm	13.00

*The length measurements refer to the total length of the tools. Our general Terms and Conditions apply.
Prices plus VAT, freight and additional costs. Allowing for price and technical changes.s.*

visit www.tinesdirect.com **freephone** +44 (0)800 083 0216 **email** sales@tinesdirect.com
free delivery on online order over £100

Soil Reliever/ Selvatici

Solid Tines

Part No.	Mounting Ø	Outside Ø	Total Length	Price £
10614402	6mm	6 mm	140 mm	1.60
0620455	6 mm	6 mm	175 mm	1.65
0817511	8 mm	8 mm	175 mm	1.95
0820049	8 mm	8 mm	200 mm	2.00
0825064	8 mm	8 mm	250 mm	2.40
0830716	8 mm	8 mm	300 mm	2.25
1208800	8 mm	12 mm	155 mm	3.20
1220055	12 mm	12 mm	200 mm	2.10
1225056	12 mm	12 mm	250 mm	2.20
1230012	12 mm	12 mm	300 mm	2.60
1236013	12 mm	12 mm	360 mm	3.25
1612760	12 mm	16 mm	200 mm	5.95
1612837	12 mm	16 mm	250 mm	6.95
1825779	12 mm	18 mm	250 mm	7.75

(Solid Tines Hardened continued on next page)

The length measurements refer to the total length of the tools. Our general Terms and Conditions apply. Prices plus VAT, freight and additional costs. Allowing for price and technical changes.

Soil Reliever/ Selvatici

Solid Tines

Part No.	Mounting Ø	Outside Ø	Total Length	Price £
1825807	18 mm	18 mm	250 mm	4.50
1830014	18 mm	18 mm	300 mm	4.70
1835015	18 mm	18 mm	350 mm	4.80
1840016	18 mm	18 mm	400 mm	5.85
1845043	18 mm	18 mm	450 mm	6.00
2235105	18 mm	22 mm	350 mm	9.00
2535018	18 mm	24 mm	350 mm	8.95
2240803	22 mm	22 mm	400 mm	9.00
2535019	24 mm	24 mm	350 mm	8.75
2540020	24 mm	24 mm	400 mm	8.95
2545021	24 mm	24 mm	450 mm	8.95

The length measurements refer to the total length of the tools. Our general Terms and Conditions apply. Prices plus VAT, freight and additional costs. Allowing for price and technical changes.

visit www.tinesdirect.com **freephone** +44 (0)800 083 0216 **email** sales@tinesdirect.com
free delivery on online order over £100

Hollow Tines

Part No.	Mounting Ø	Outside Ø	Total Length	Core Ø	Price £
9513123 Side Eject	9.5 mm	9.5 mm	125 mm	5 mm	5.05
9514745 Side Eject	9.5 mm	11 mm	145 mm	6 mm	5.95
1912807 Side Eject	19 mm	12 mm	155 mm	6 mm	6.95
1912130	19 mm	12.7 mm	125 mm	10 mm	2.10
1912771 Side Eject	19 mm	12.7 mm	125 mm	9 mm	3.70
1914132	19 mm	12.7 mm	145 mm	10 mm	2.50
1914415 Side Eject	19 mm	12.7 mm	145 mm	10 mm	3.75
1916887	19 mm	12.7 mm	165 mm	10 mm	2.80
1615765 Side Eject	19 mm	16 mm	155 mm	9.5 mm	9.30
1912134	19 mm	16 mm	125 mm	13 mm	2.15
1912761 Side Eject	19 mm	16 mm	125 mm	12 mm	3.50
1914136	19 mm	16 mm	145 mm	13 mm	2.50

(Hollow Tines Hardened continued on next page)

The length measurements refer to the total length of the tools. Our general Terms and Conditions apply. Prices plus VAT, freight and additional costs. Allowing for price and technical changes.

Hollow Tines

Part No.	Mounting Ø	Outside Ø	Total Length	Core Ø	Price £
1914417 Side Eject	19 mm	16 mm	145 mm	12 mm	3.75
2015766 Side Eject	19 mm	20 mm	155 mm	13 mm	8.75
1916886	19 mm	16 mm	165 mm	13 mm	2.80
2514260 Side Eject	19 mm	26 mm	140 mm	16 mm	10.25
2514266 Side Eject	22.3 mm	26 mm	140 mm	16 mm	10.25

The length measurements refer to the total length of the tools. Our general Terms and Conditions apply. Prices plus VAT, freight and additional costs. Allowing for price and technical changes.



2514260



1914417

Hollow Tines Carbide Tipped

Part No.	Mounting Ø	Outside Ø	Total Length	Core Ø	Price £
9513123H Side Eject	9.5 mm	11 mm	145 mm	5.5 mm	7.95
1912807H Side Eject	19 mm	12 mm	155 mm	6 mm	9.75
1912131H	19 mm	12.7 mm	125 mm	9 mm	9.50
1914133H	19 mm	12.7 mm	145 mm	9 mm	10.50
1914416H Side Eject	19 mm	12.7 mm	145 mm	9 mm	12.95
1615765H Side Eject	19 mm	16 mm	155 mm	9 mm	13.95
1912135H	19 mm	16 mm	125 mm	12 mm	10.00
1914137H	19 mm	16 mm	145 mm	12 mm	10.50
2014027H	19 mm	16 mm	145 mm	12 mm	13.00
2015766H Side Eject	19 mm	20 mm	155 mm	12 mm	13.95

Konispoon® Round Needle

Part No.	Mounting Ø	Outside Ø	Total Length	Price £
9505847K	9.5mm	5mm	140mm	3.00
9505846K	9.5mm	5mm	160mm	3.15
9506842K	9.5mm	6mm	140mm	3.00
9506845K	9.5mm	6mm	160mm	3.15

The length measurements refer to the total length of the tools. Our general Terms and Conditions apply. Prices plus VAT, freight and additional costs. Allowing for price and technical changes.

Cross Tines

Part No.	Mounting Ø	Outside Ø	Total Length	Rib Width	Price £
9510720	9.5 mm	9.5 mm	102 mm	1.5 mm	6.60
9516825	9.5 mm	9.5 mm	160 mm	1.5 mm	7.95
9514120	9.5 mm	12 mm	135 mm	2.5 mm	9.50
1916900	19 mm	12 mm	160 mm	2.5 mm	9.25
2019457	19 mm	20 mm	140 mm	3 mm	11.50
2419459	19 mm	24 mm	140 mm	5 mm	15.50
2619461	19 mm	26 mm	140 mm	5 mm	15.50
2422460	22.3 mm	24 mm	140 mm	5 mm	15.00
2622462	22.3 mm	26 mm	140 mm	5 mm	15.50

Cross Tines Carbide Tipped

Part No.	Mounting Ø	Outside Ø	Total Length	Rib Width	Price £
9514120H	9.5 mm	12 mm	135 mm	2.5 mm	13.95
1916900H	19 mm	12 mm	145 mm	2.5mm	13.95
1274121H	12.7 mm	12 mm	140 mm	2.5 mm	13.50

The length measurements refer to the total length of the tools. Our general Terms and Conditions apply. Prices plus VAT, freight and additional costs. Allowing for price and technical changes.

Flat / Chisel Tine

Part No.	Mounting Ø	Element Width	Element Thickness	Total Length	Price £
1219841	19 mm	19 mm	6 mm	140 mm	9.95
1219842	19 mm	19 mm	6 mm	160 mm	9.95

Solid Tines

Part No.	Mounting Ø	Outside Ø	Total Length	Price £
10105180	5 mm elbow	5 mm	180 mm	2.20
0108180	8 mm elbow	8 mm	180 mm	2.85
0614402	6 mm	6 mm	140 mm	1.60
0815052	8 mm	8 mm	150 mm	2.10
9512450	9.5 mm	9.5 mm	120 mm	1.60
9515045	9.5 mm	9.5 mm	150 mm	2.25
1906872	19 mm	6 mm	160 mm	4.95
1908873	19 mm	8 mm	160 mm	4.95
1910929	19 mm	10 mm	160 mm	4.95
1912774	19 mm	12 mm	160 mm	4.95
1916785	19 mm	16 mm	160 mm	4.95
2231685	22.3 mm	16 mm	140 mm	8.95

The length measurements refer to the total length of the tools. Our general Terms and Conditions apply. Prices plus VAT, freight and additional costs. Allowing for price and technical changes.

Coremaster

Hollow Tines

Part No.	Mounting Ø	Colour of Holder	Outside Diameter	Total Length	Core	Price £
9513123-90 Side Eject	9.5 mm	4	9.5 mm	90 mm	5 mm	4.95
9513123 Side Eject	9.5 mm	4	9.5 mm	130 mm	5 mm	5.05
1852138	18.5 mm	2	16 mm	125 mm	10 mm	3.85
1612256	22.3 mm	2	19 mm	115 mm	12.7 mm	3.95

Hollow Tines Carbide Tipped

Part No.	Mounting Ø	Colour of Holder	Outside Diameter	Total Length	Core	Price £
1852139H	18.5 mm	2	16 mm	127 mm	9.5 mm	9.95

Cross Tines

Part No.	Mounting Ø	Colour of Holder	Outside Diameter	Total Length	Core	Price £
9510720	9.5 mm	4	9.5 mm	102 mm	1.5 mm	6.60
9514120	9.5 mm	4	12 mm	135 mm	2.5 mm	9.50

Cross Tines Carbide Tipped

Part No.	Mounting Ø	Colour of Holder	Outside Diameter	Total Length	Rib Width	Price £
9514120H	9.5 mm	4	12 mm	135 mm	2.5 mm	13.95

Solid Tine

Part No.	Mounting Ø	Colour of Holder	Outside Diameter	Total Length	Price £
9512450	9.5 mm	4	9.5 mm	115 mm	1.60

visit www.tinesdirect.com **freephone** +44 (0)800 083 0216 **email** sales@tinesdirect.com
free delivery on online order over £100

Hollow Tines

(All Wiedemann tines are Side Eject)

Produced from a full steel billet, shatter-proof with long durability. Standard Taper 3° or Taper 7° for GXI

Part No.	Mounting Ø	Outside Ø	Total Length	Core Ø	Price £
W1008755	8 mm	11 mm	150 mm	6 mm	5.95
W1214770	12 mm	12 mm	160 mm	6.5 mm	7.50
W1618001	12 mm	16 mm	180 mm	9.5 mm	10.75
W1624001	12 mm	16 mm	225 mm	9.5 mm	12.50
W2018002	12 mm	20 mm	180 mm	12 mm	13.50
W2024002	12 mm	20 mm	225 mm	12 mm	15.95
W2031004	12 mm	20 mm	295 mm	12 mm	19.75
W2031461	Taper 3°	20 mm	295 mm	12 mm	20.95
W2522819	Taper 3°	26 mm	250 mm	16 mm	21.75
W2536042	Taper 3°	26 mm	360 mm	16 mm	32.00
W3025822	Taper 3°	30 mm	250 mm	21 mm	25.95
W3030385	Taper 3°	30 mm	360 mm	21 mm	35.00
W3530386	Taper 3°	35 mm	360 mm	27 mm	36.50
W2031901	Taper 7°	20 mm	295 mm	12 mm	19.95

The length measurements refer to the total length of the tools. Our general Terms and Conditions apply. Prices plus VAT, freight and additional costs. Allowing for price and technical changes.

Hollow Tines Carbide Tipped

Part No.	Mounting Ø	Outside Ø	Total Length	Core Ø	Price £
W1618001H	12 mm	16 mm	180 mm	9 mm	25.95
W1624001H	12 mm	16 mm	225 mm	9 mm	26.95
W2018002H	12 mm	20 mm	180 mm	12 mm	27.50
W2024002H	12 mm	20 mm	225 mm	12 mm	27.90
W2031004H	12 mm	20 mm	295 mm	12 mm	32.50
W2031461H	Taper 3°	20 mm	295 mm	12 mm	32.50
W2524068H	Taper 3°	26 mm	310 mm	18 mm	41.00

Terra Rake Replacement Tine

Part No.	Mounting Ø	Outside Ø	Total Length	Core Ø	Price £
W1196554	4.6 mm	41 mm	260 mm	65 mm	4.00

The length measurements refer to the total length of the tools. Our general Terms and Conditions apply. Prices plus VAT, freight and additional costs. Allowing for price and technical changes.



visit www.tinesdirect.com **freephone** +44 (0)800 083 0216 **email** sales@tinesdirect.com
free delivery on online order over £100

Cross Tines

Part No.	Mounting Ø	Outside Ø	Total Length	Rib Width	Price £
W0820719	8 mm	8 mm	200 mm	1.5 mm	7.50
W1916900	12 mm	12 mm	145 mm	2.5 mm	9.95
W1220244	12 mm	12 mm	200 mm	2.5 mm	11.50
W1225813	12 mm	12 mm	250 mm	2.5 mm	13.50
W1218452	12 mm	18 mm	200 mm	3 mm	13.95
W1832453	Taper 3°	18 mm	320 mm	3 mm	21.95
W2235413	Taper 3°	22 mm	320 mm	5 mm	26.50
W2532454	Taper 3°	24 mm	320 mm	5 mm	25.00

Cross Tines Carbide Tipped

Part No.	Mounting Ø	Outside Ø	Total Length	Rib Width	Price £
W1214012H	12 mm	12 mm	145 mm	2.5 mm	13.95
W1220244H	12 mm	12 mm	200 mm	2.5 mm	14.40

Cross Tines Carbide Tipped

Part No.	Mounting Ø	Outside Ø	Total Length	Rib Width	Price £
W1219844	12 mm	19 mm	220 mm	6 mm	13.00

The length measurements refer to the total length of the tools. Our general Terms and Conditions apply. Prices plus VAT, freight and additional costs. Allowing for price and technical changes.

Solid Tines

Part No.	Mounting Ø	Outside Ø	Total Length	Price £
W0817511	8 mm	8 mm	175 mm	1.95
W0820049	8 mm	8 mm	200 mm	2.20
W0825064	8 mm	8 mm	250 mm	2.40
W0830716	8 mm	8 mm	300 mm	2.25
W1208844	12 mm	8 mm	200 mm	3.95
W1201044	12 mm	10 mm	200 mm	3.95
W1220055	12 mm	12 mm	200 mm	2.10
W1225056	12 mm	12 mm	250 mm	2.20
W1230012	12 mm	12 mm	300 mm	2.60
W1236013	12 mm	12 mm	360 mm	3.25
W1612760	12 mm	16 mm	200 mm	6.15
W1612837	12 mm	16 mm	250 mm	6.95
W1820823	12 mm	18 mm	200 mm	7.50
W1825836	12 mm	18 mm	250 mm	7.75

The length measurements refer to the total length of the tools. Our general Terms and Conditions apply. Prices plus VAT, freight and additional costs. Allowing for price and technical changes.

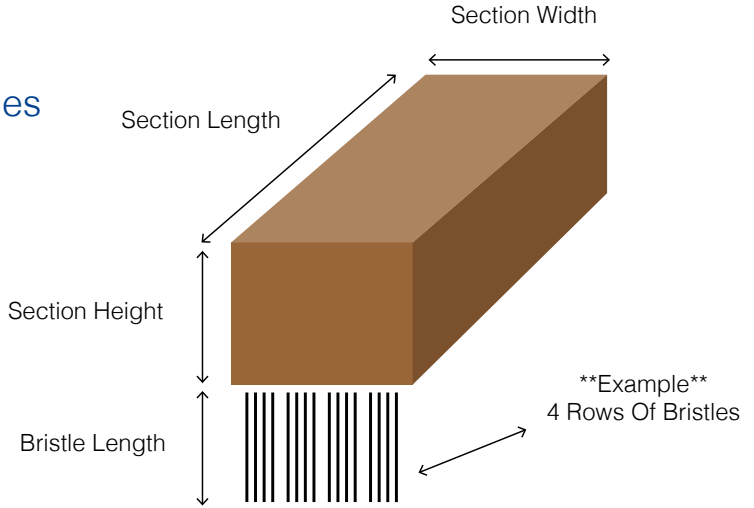
Solid Tines – Standard Taper 3° Or Taper 7° for GXI

Part No.	Mounting Ø	Outside Ø	Total Length	Price £
W1830770	Taper 3°	18 mm	300 mm	8.95
W1827103	Taper 3°	18 mm	350 mm	8.95
W2025727	Taper 3°	20 mm	300 mm	9.00
W2035716	Taper 3°	20 mm	350 mm	9.50
W2042717	Taper 3°	20 mm	420 mm	11.00
W2225821	Taper 3°	22 mm	300 mm	10.00
W2235126	Taper 3°	22 mm	350 mm	10.50
W2242407	Taper 3°	22 mm	420 mm	12.50
W2525820	Taper 3°	24 mm	300 mm	10.50
W2535018	Taper 3°	24 mm	350 mm	12.00
W2440751	Taper 3°	24 mm	420 mm	12.95
W1830840	Taper 7°	18 mm	300 mm	8.00
W2030876	Taper 7°	20 mm	300 mm	8.00
W2230889	Taper 7°	22 mm	300 mm	8.95

The length measurements refer to the total length of the tools. Our general Terms and Conditions apply. Prices plus VAT, freight and additional costs. Allowing for price and technical changes.

Brushes

Custom Brushes Request Form



Please complete details below & fax

NAME

CONTACT No

MACHINE MANUFACTURER

MACHINE MODEL

PLAYING SURFACE BRUSH TO BE USED ON
(E.G. BOWLING GREEN)

QUANTITY OF BRUSHES REQUIRED

BRUSH SECTION MATERIAL
(E.G. PLASTIC/WOOD)

LENGTH OF SECTION (mm)

WIDTH OF SECTION (mm)

HEIGHT OF SECTION (mm)

BRISTLE LENGTH (mm)

BRISTLE COLOUR

BRISTLE THICKNESS (mm)

NUMBER OF BRISTLE ROWS

visit www.tinesdirect.com **freephone** +44 (0)800 083 0216 **email** sales@tinesdirect.com
free delivery on online order over £100

Brushes - Replacement Brush Sections



Thatchaway - (Greentek) (Replacement brush only, shaft not included)

Part No.	Dimensions	Description	Price £
TD55547R	55.5cm x 1 ½"	Rotary Brush, Regular Bristle (Black)	85.00
TD55547F	55.5cm x 1 ½"	Rotary Brush, Firm Bristle (Blue)	85.00

Wessex - SC12 4ft Sweeper Collector

Part No.	Dimensions	Description	Price £
TTD2870	60cm x 190 mm	Brush section, white/black	20.00
TD7570	60cm x 190 mm	Brush section, yellow	20.00

Tomlin - RC120/RC180 Sweeper Collector

Part No.	Dimensions	Description	Price £
TDRC120R	600 mm x 190 mm	RC120 Section (BLACK) REGULAR	21.00
TDRC120F	600 mm x 190 mm	RC120 Section (YELLOW) FIRM	21.00
TDRC180R	1800 mm x 190mm	RC180 Section (BLACK) REGULAR	68.00
TDRC180F	1800 mm x 190 mm	RC180 Section (YELLOW) FIRM	68.00

visit www.tinesdirect.com **freephone** +44 (0)800 083 0216 **email** sales@tinesdirect.com
free delivery on online order over £100

Brushes

Sisis – Auto / Trio Rotorrake, Litamisa, Litamina, Quadraplay

Part No.	Dimensions	Description	Price £
TTD1520	2ft X 135mm	Quadraplay, 2ft Brush section	28.00
TD35377	18.5" x 80mm	Auto/Trio rotorake, Helical Brush	51.00
TD33872	-	Auto Rotorake Mk5, Helical Brush	62.00
TDF35919	-	Auto Rotorake synthetic Surface	140.00
TD35377C	18.5" x 80mm	Complete Brush Assy inc. Shaft & bearings	136.00
TDF36271	-	Rotorake 600	125.00
TDF33872	-	Rotorake 500	87.50
TD3623	35" x 190mm	Litamisa, 3ft Brush section (old style-6ft)	21.25
TD31835	3ft x 120mm	Litamisa, Helical Brush RH (high lift 6ft)	185.00
TD31836	3ft x 120 mm	Litamisa, Helical Brush LH (high lift 6ft)	185.00
TD31604	2ft x 140 mm	Litamina, Helical Brush RH (4ft)	136.00
TD31605	2ft x 140mm	Litamina, Helical Brush LH (4ft)	136.00
TD36698	-	Litamina, 1500 LH	170.00
TD36699	-	Litamina, 1500 RH	170.00
TDF31023	-	Brush Strip Litamisa (FRONT)	76.50
TDDF31038	-	Brush Strip Litamina (FRONT)	72.50
TDF36729	-	Brush Strip Litamisa 1500	73.00
TDD6744	1280mm	Powaspread	255.00
TDF31394	996mm	Top Spread	240.00
TDF32970	840mm	Auto Spread	240.00
TDD7326	4ft	Litamina Sweeper Old Type 4ft	20.50
TDF33772	-	OSCA 3	51.00
TDF31346	6ft	Drag Brush Manual Type Medium	52.00
TDF31347	6ft	Drag Brush Manual Type Stiff	52.00

visit www.tinesdirect.com **freephone** +44 (0)800 083 0216 **email** sales@tinesdirect.com
free delivery on online order over £100

Bedknives

Jacobsen Bedknives – Supplied with Screws

TD Ident. No.	OEM part number	Holes	Description	Price £
9901471	5000927	13	GK II, IV & V22" Tournmnt. 1/16" (Sub.to Avail.)	29.15
TP-503478-U	503478	13	GK II, IV & V22 Thin 1/8" (ULTRA)	29.15
TP-503477	503477	13	GK II, IV & V22 Thick 3/16"	26.95
TP-503654	503654	11	LF3810	31.35
TP-503460	503257/460	13	LF3800 Thick 7/16" Fairway/3400	31.35
TP-503363	503363/550	13	1671/1684D/1900D Tri King 30"	31.35
TP-554284	554284	11	Tri King 26" 1671/1684D/1900D	31.35

Ransomes Bedknives – Supplied with Screws

TD Ident. No.	OEM part number	Holes	Description	Price £
9901021	MBA7024A	7	213/350 & 30 Single lip Gang Mower	27.00
9901429	MBA7050	7	Marquis 24 / 61 cm	26.75
9901119	MBA7017	6	Marquis 20 / 51 cm, subject to avail.	26.25
9901009	MBA7051	8	Autocertes 20", subject to avail.	18.60
9901089	MBA7057	8	Autocertes 20Shaver, subject to avail.	17.25
9901439	MBA7083	8	Supercertes 24 (To fit 61), subject to avail.	20.80
9901841	MBA7092	8	Supercertes 24Shaver (fit 61), sub.to avail.	17.95
9901009	MBA7051	8	Supercertes 20 (To fit 51), subject to avail.	18.60
99011201	39023	13	G.Plex/E.Plex (subject to availability)	29.95

The length measurements refer to the total length of the tools. Our general Terms and Conditions apply. Prices plus VAT, freight and additional costs. Allowing for price and technical changes.

visit www.tinesdirect.com **freephone** +44 (0)800 083 0216 **email** sales@tinesdirect.com
free delivery on online order over £100

Bedknives

Toro Bedknives – Supplied with Screws

TD Ident. No.	OEM part number	Holes	Description	Price £
TTP-939774	93-9774	8	Toro 6700	29.15
TP-638600	63-8600	13	GM300/3000 super thick 5/16	28.00
TP-946392	62-2500	13	GM300/3000 & GM1000 thick 3/16 (subject to availability)	28.00
TP-934264-U	93-4264	13	GM300/3000 & GM1000 1/8" (ULTRA)	29.15
TP-638610	63-8610	7	RM223D/5100D & 5300D 1/4	27.50
9901049	59-5890	10	RM335D/450D & 4500D (subject to availability)	28.85
TP-625180	62-5180	10	RM216/2300D/2600D & 3100D/27	36.65
TP-476680	47-6680	11	Reelmaster Low Cut	30.00
TP-497660	49-7660	11	Reelmaster High Cut	36.65

John Deere Bedknives – Supplied with Screws

TD Ident. No.	OEM part number	Holes	Description	Price £
TP-17532	ET17532	13	220/220A/2243 & 2500 thick 3/16	31.30
TP-17533-U	17533	13	220/220A/2243 & 2500 1/8 (ULTRA)	29.15
TP-17752	ET17752	10	2653 & 2653A 26 STANDARD	31.30
99011251	MT2396	10	2653 & 2653A 26 LOW CUT (subject to availability)	31.30
TP-1973	MT1973	12	2653 & 2653A 30	31.30
TP-17767	ET17767	13	3215 & 3235 Medium cutting unit	31.30

The length measurements refer to the total length of the tools. Our general Terms and Conditions apply. Prices plus VAT, freight and additional costs. Allowing for price and technical changes.

visit www.tinesdirect.com **freephone** +44 (0)800 083 0216 **email** sales@tinesdirect.com
free delivery on online order over £100

Accessories & Equipment



Back-Lapping Paste

Part. No.	Grade	Weight	Price £
TD2500EC	30/60 - Extra Course	2.5Kg	19.95
TD5000EC	30/60 - Extra Course	5Kg	36.95
TD2500C	80 - Course	2.5Kg	19.95
TD5000C	80 - Course	5Kg	36.95
TD2500M	120 - Medium	2.5Kg	19.95
TD5000M	120 - Medium	5Kg	36.95
TD2500F	220 - Fine	2.5Kg	19.95
TD5000F	220 - Fine	5Kg	36.95

“This is a Market Leading product. Not only does it offer outstanding quick results but as it's water based it creates less impact to the environment, I would recommend to any Sportsturf or Greenkeeping professional”

Andrew Beard of Sportsturf Machinery Services, with over 22 years service in both the service and sales side of the industry

The length measurements refer to the total length of the tools. Our general Terms and Conditions apply. Prices plus VAT, freight and additional costs. Allowing for price and technical changes.

visit www.tinesdirect.com **freephone** +44 (0)800 083 0216 **email** sales@tinesdirect.com
free delivery on online order over £100

Accessories & Equipment

Digital Accu-Guage

The preferred height of cut setting tool for the professional groundsman & greenkeeper

Tines Direct Are Pleased To Offer Our Bespoke Specification As Follows:

- 8" Bar length - Most popular size to suit Greens, Tees and Outfield cutting units
- Digital - For Ease of Reading & Setting
- Metric Nomination - For UK & Europe
- Aluminium Carry Case - Protection for your Gauge, with Die Cut Foam For Perfect Fit



only £175 +vat

visit www.tinesdirect.com **freephone** +44 (0)800 083 0216 **email** sales@tinesdirect.com
free delivery on online order over £100

Accessories & Equipment

Top Link Assemblies

Large selection of linkage pins and accessories available from stock

Part. No.	Category	Description	Price £
TDLK1000	1 & 1	Top Link Assy. Min.L.555mm, Max.L.755mm	22.50
TDLK1003	1 & 1	Top Link Assy. Min.L.620mm, Max.L.825mm	22.50
TDLK1004	1 & 2	Top Link Assy. Min.L.630mm, Max.L.830mm	22.50
TDLK1056	1 & 1	Top Link Assy. Min.L.485mm, Max.L.685mm	22.50
TDFM3004	1 & 1	Hyd Top Link. Min.L.470mm, Max.L.680mm supplied complete with Hose Kit & ½" Male Couplings	200.00
TDFM3006	2 & 2	Hyd Top Link. Min.L.620mm, Max.L.880mm supplied complete with Hose Kit & ½" Male Couplings	330.00

PTO Shaft Complete

*** Other PTO Shafts are available to order, please ask for further details.*

Part. No.	PTO Series	HP @ PTO	Description	Price £
TDPTO1000	2	20	Series 2 PTO Shaft, Overall length 860 mm	90.00
TDPTO1003	4	31	Series 4 PTO Shaft, Overall length 860 mm	110.00
TDPTO1005	5	63	Series 5 PTO Shaft, Overall length 860 mm	140.00

PTO Shaft Complete

*** Other PTO Shafts are available to order, please ask for further details.*

PTO Safety Cover

TDPTO1500	PTO Guard to suit TDPTO1000, includes guard retainer TDPTO 1603	34.25
TDPTO1502	PTO Guard to suit TDPTO1003, includes guard retainer TDPTO 1604	44.90
TDPTO1504	PTO Guard to suit TDPTO1005, includes guard retainer TDPTO 1606	56.25

The length measurements refer to the total length of the tools. Our general Terms and Conditions apply. Prices plus VAT, freight and additional costs. Allowing for price and technical changes.

visit www.tinesdirect.com **freephone** +44 (0)800 083 0216 **email** sales@tinesdirect.com
free delivery on online order over £100

Accessories & Equipment

Replacement Seats

All seats have a weather proof finish with a superior filling for comfort. They are backed with a hard black plastic skeleton for longevity, with an integral hole for operators Presence Device and multiple mounting holes as illustrated.

XB150 LOW BACK SEAT £57.50

Colour option

E.g. Small Triple Cylinder Mower or
Small Rotary Ride on Mower

XB180 MEDIUM BACK SEAT £71.50

Colour option

E.g. Workman or Gator

XB200 HIGH BACK SEAT £78.50

Colour option

E.g. Jacobsen, Toro or John Deere

XBSWITCH OPERATOR £14.20

Presence Switch



visit www.tinesdirect.com **freephone** +44 (0)800 083 0216 **email** sales@tinesdirect.com
free delivery on online order over £100

Accessories & Equipment

Tas Trimmer



The TAS Trimmer blade mounts on any straight shaft trimmer. Once installed, the TAS Trimmer is ready to trim grass away from sprinkler heads, valve boxes, yardage markers and tee markers in a flash. The amount of time and energy saved is so great that it's nearly immeasurable. The TAS Trimmer is the #1 choice of landscape & golf course irrigation professionals.

Fitment

The TAS Trimmer fits any straight shaft trimmer on the market and mounts like a brush cutter attachment. Simply remove the original trimmer head and attach the TAS Trimmer using the brush cutter adapter kit for your make and model.

*ECHO brand trimmers will need the 20mm bushing - supplied with your TAS Trimmer.

*Bent shaft trimmers are NOT approved for use with the TAS Trimmer

Part. No.	Size	£/Piece
TAS375	3.75" inch	25.00
TAS45	4.5" inch	25.00
TAS55	5.5" inch	25.00
TAS7	7" inch	25.00
TAS75	7.5" inch	25.00
TAS775	7.75" inch	25.00
TAS8	8" inch	30.00
TAS85	8.5" inch	30.00
TAS10	10" inch	45.00

Compatible with all irrigation systems including Rainbird, Hunter, Toro, Buckner, Bear, R.L. Nelson, K-Rain, Legacy, John Deere and Weathermatic.

visit www.tinesdirect.com **freephone** +44 (0)800 083 0216 **email** sales@tinesdirect.com
free delivery on online order over £100

RAYCAM

Sportsfield Harrow

Tractor mounted grooming harrow

The Raycam Sportsfield Harrow is a tractor mounted implement for aggressive surface grooming. It can be used on turf, for standing prone grasses, dragging out dead or dying organic matter, or creating a tilt prior to seeding. The Sports field Harrow also has an application for grooming on hard porous surfaces, and is also ideal for gravel paths, where regular use will prevent the accumulation of moss & algae. This 3-point linkage model can be mounted on all compact tractors of around 25hp and above.



Sportsfield Harrow & Replacement Spring Tine

Part. No.	Size	£/Piece	
N4947	2.5m wide Tine Spacing 50 mm	3-pt linkage mounted sportsfield harrow	750.00

Tine Part No.	Wire Ø	Coil Ø	Total Length	Width	Price £
FP0000089	6 MM	53 MM	295 MM	60 MM	3.50

Liquid Transfer Marker – LM3010 / LM3012

The Raycam LM3010 and LM3012 are simple, durable & easy to operate liquid transfer line markers. Marking material is transferred from the 30ltr hopper to the 10cm wide marking wheel by a grooved rubber roller, giving even, accurate lines. Features adjustable, tubular steel handles, pneumatic tyres, adjustable flow rate. Front roller allows marking up to post or flag. Recommended marking materials include propriety marking paints, emulsion paint etc. Always check marking materials comply with H.S.E guidelines for sports field use.



Part No.	Size	Description	£/Piece
N4946	30 litre capacity, 10cm marking wheel	Liquid transfer marker	415.00
N5250	30 litre capacity, 12cm marking wheel	Liquid transfer marker	450.00

RAYCAM

A Range of rubber or steel dragmats for dispersal of top dressing.

Raycam Easy Drag Dragmats come in a variety of different sizes, and are available in heavy-duty reinforced rubber or steel construction. Dragmats are ideal for rubbing-in top dressings, dew and clippings dispersal. Small mats can be hand-pulled, while the wider units are more suited to towing of mounting on the optional 3-point frame. Available in 4 different widths, and 2 different thicknesses (rubber) for a variety of different handling applications and tasks.

Raycam Easy Drag Rubber Dragmats – 12mm thick

Part No.	Size	Description	£/Piece
N2158	1.2m wide x 1.8m deep	Raycam Easy Drag Rubber Dragmats – 12mm thick	325.00
N2159	1.8m wide x 1.8m deep	Raycam Easy Drag Rubber Dragmats – 12mm thick	445.00
N2160	2.4m wide x 1.8m deep	Raycam Easy Drag Rubber Dragmats – 12mm thick	560.00
N2161	3.0m wide x 1.8m deep	Raycam Easy Drag Rubber Dragmats – 12mm thick	690.00



Raycam Heavy- Duty Rubber Dragmats – 20mm thick

Part No.	Size	Description	£/Piece
N2697	1.2m wide x 1.8m deep	Raycam Easy Drag Rubber Dragmat – 20mm thick	565.00
N2542	1.8m wide x 1.8m deep	Raycam Easy Drag Rubber Dragmat – 20mm thick	800.00
N2543	2.4m wide x 1.8m deep	Raycam Easy Drag Rubber Dragmat – 20mm thick	945.00
N2544	3.0m wide x 1.8m deep	Raycam Easy Drag Rubber Dragmat – 20mm thick	1045.00

RAYCAM

Raycam EasyDrag

Easy-Drag Optional Accessories

Description	£/Piece
3-Point Linkage Frame	520.00
Handle bar	16.00



Standard Steel Dragmats – 12mm thick

Part No.	Size	Description	£/Piece
N3369	0.9m wide x 1.2m deep	Standard Steel Dragmat – 12mm thick	125.00
N2407	1.8m wide x 1.2m deep	Standard Steel Dragmat – 12mm thick	210.00
N2406	2.4m wide x 1.2m deep	Standard Steel Dragmat – 12mm thick	395.00

**FREE CARRIAGE
ON ANY DRAGMAT**

Uk Mainland Only

visit www.tinesdirect.com **freephone** +44 (0)800 083 0216 **email** sales@tinesdirect.com
free delivery on online order over £100

RAYCAM

Raycam V-Brush

Tractor mounted triple V-Brush for natural & synthetic turf

The Raycam Triple V-Brush is a tractor mounted implement for brushing in top-dressing removing worm casts, standing up grass prior to mowing and general presentation on natural turf. The V-Brush is also suitable for use on sand-filled and 3-G synthetic pitches for taking out scuffs & foot prints, re-distributing infill and promoting a vertical sward. The reversible mounting frame enables the V-Brush to be mounted on the rear or front linkage on tractors of 18hp and above. Individual brush sections can easily be replaced when worn.



Raycam V-Brush

Part No.	Specification	Description	£/Piece
N3903	Working Width 1.8m Weight 120kg Power requirement 18hp	Tractor Mounted Triple V-Brush for natural & Synthetic Turf	1025.00
Replacement Brushes			£/Piece
Complete Set of Replacement Bush Sections			325.00

Any questions or queries relating to the Raycam product range?

Please feel free to contact a member of our experienced sales team.

Tel : +44(0)1260 224568

Email : sales@tinesdirect.com





IMANTS Penetrometer

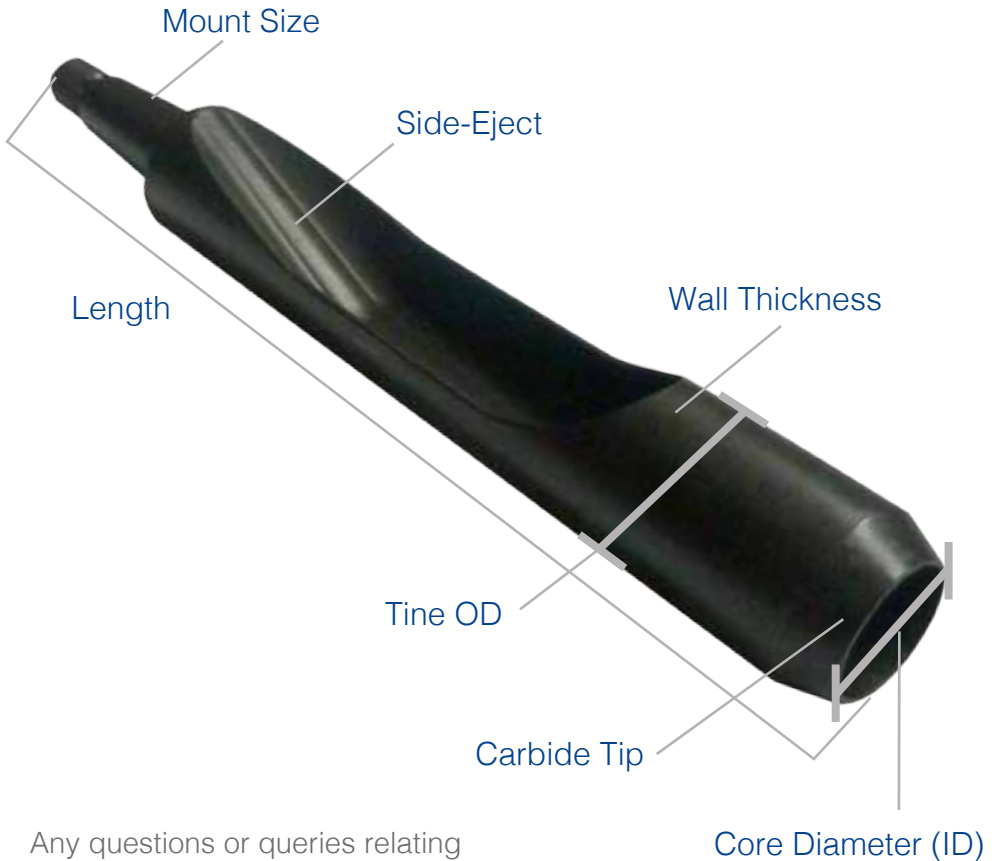
Hand operated professional compaction meter

The Imants penetrometer is a hand held, professional compaction meter to locate and monitor the compaction levels in the soil / root-zone. Understanding the degree of compaction enables the right procedures to be taken to eliminate excessive levels. Lack of air in compacted soil is a major problem, as the roots need access to oxygen to survive. As a rule of thumb, compaction greater than 20 bar pressure (285 psi) will cause problems and action should be taken to relieve the compaction in the rootzone.



Part. No.	Description	£/Piece
IM005038	Hand Operated Professional compaction meter	240.00

Tine Terminology Explained



Any questions or queries relating to any of our products range?

Please feel free to contact a member of our experienced sales team.

tel: +44(0)1260 224568 or email: sales@tinesdirect.com



A division of
Richard Campey Ltd

Marton, Macclesfield, Cheshire, SK11 9HG United Kingdom



Replacement Tines for Charterhouse Vertidrain, Weidenmann Terraspikes, Ryan, Toro, John Deere, & Groundsman Corers and many more! Thatchaway, Graden & Sisis Scarifiers. Replacement brushes for Sisis, Thatchaway, Tomlin & Wessex Sweepers. Specialists in Carbide Tipped Tines.

Freephone +44 (0)800 083 0216 **Email** sales@tinesdirect.com **Website** www.tinesdirect.com